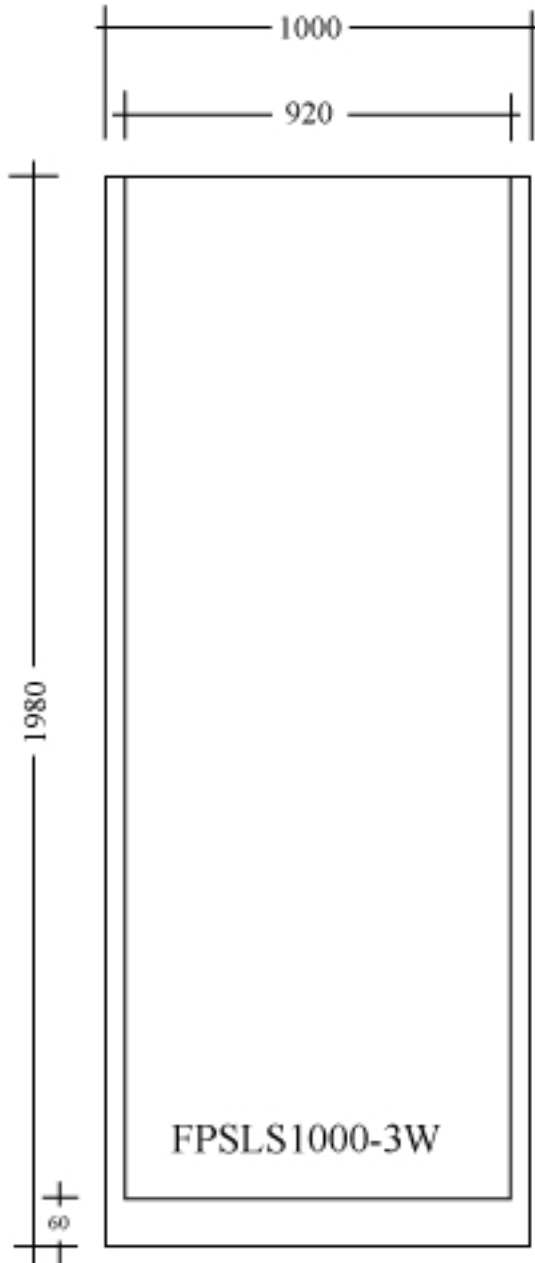




Sparkhomes.com.au

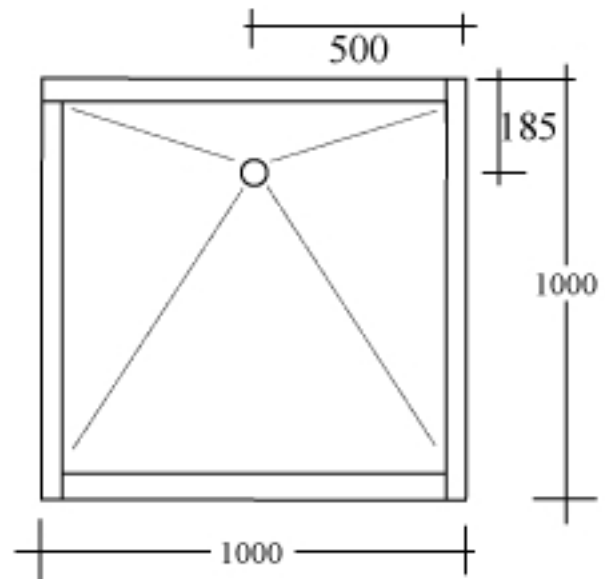
SPARK BUSINESS GROUP

Email: enquiry@sparkbusinessgroup.com.au Website: sparkhomes.com.au
Unit 3, 13 McCormack Street, Arndell Park, 2148 NSW
Telephone: (02) 88074717, (02) 86787856



1000x1000

Flat Packed Shower



Sizes are nominal and may vary slightly from batch to batch.